

VACUUM-PURGE NITRIDING RETORT FURNACES

24/7 CUSTOMER SUPPORT
ON-SITE SERVICE

VACUUM-PURGE NITRIDING SYSTEMS

Heating: Gas or Electric

Temperature Range: 750°F - 1350°F

Retort: 310 stainless steel

Insulation: Ceramic fiber

Processes: Nitriding, nitrocarburizing,
tempering, stress relieving

Typical atmospheres: Ammonia, dissociated
ammonia, nitrogen, carbon dioxide, air

GROSS LOADING (LBS.)	LOAD SIZE (IN.)		
	Width	Length	Height
4,000	36	48	36
7,000	36	72	36

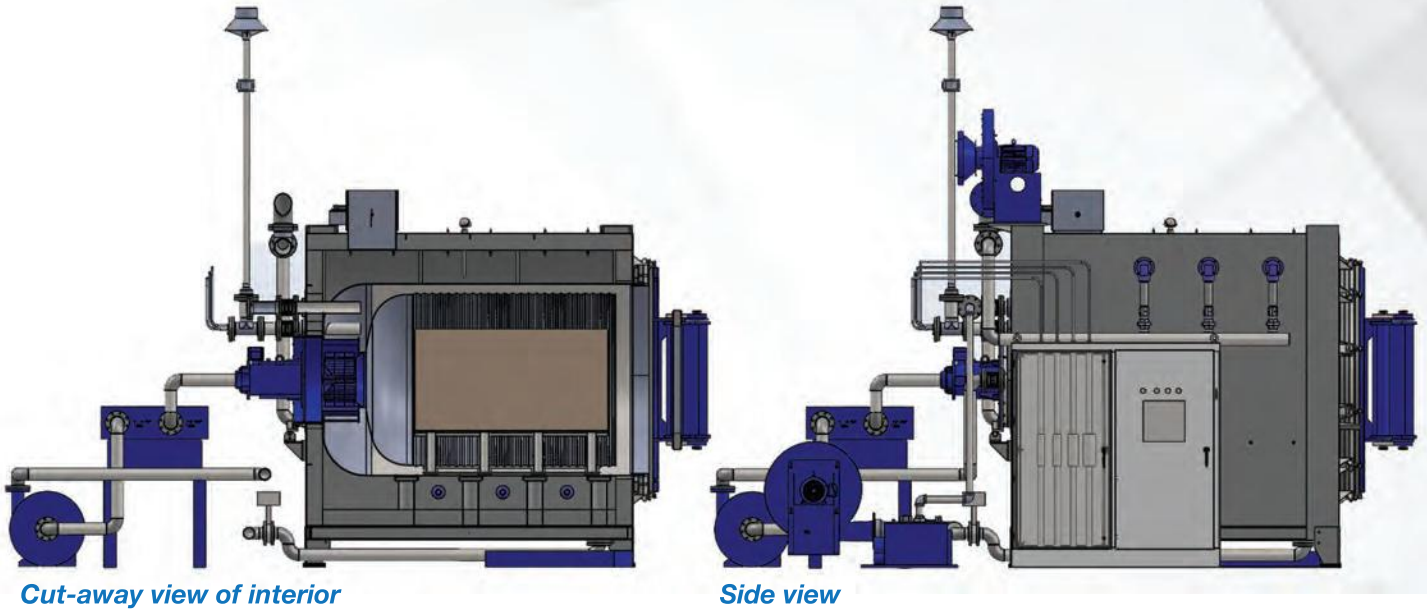
Custom engineered sizes available upon request

STANDARD FEATURES

- AMS 2750-compliant temperature uniformity
- Multi-gas analyzer for automatic K_N and K_C control
- Meets AMS 2759/10 and 2759/12 requirements
- Vacuum pump for rapid chamber evacuation
- Hydraulic door clamping mechanism
- Electronic process gas flow control
- Internal retort fan and inner baffle for atmosphere recirculation
- Integrated PLC logic control and HMI for ease of operation

OPTIONS

- Pre- and post-oxidation control
- Ammonia dissociator
- Rapid cooling system to reduce cooling time
- Alternate retort materials upon request



Cycle Diagram including pre- and post- oxidation

